

HDx35 Mark III

Item No: 600000000036

The HDx35 Mark III is an optical converter that enables B4 mount 2/3" HD video lenses to work with most 35 mm format large sensor cameras. The Mark III system has increased coverage to work with more cameras.

The HDx35 Mark III adapts from B4 to a Universal Mount System. Available mount options include ARRI PL, Canon EF, Nikon F, Sony E, Sony FZ and Micro 4/3.

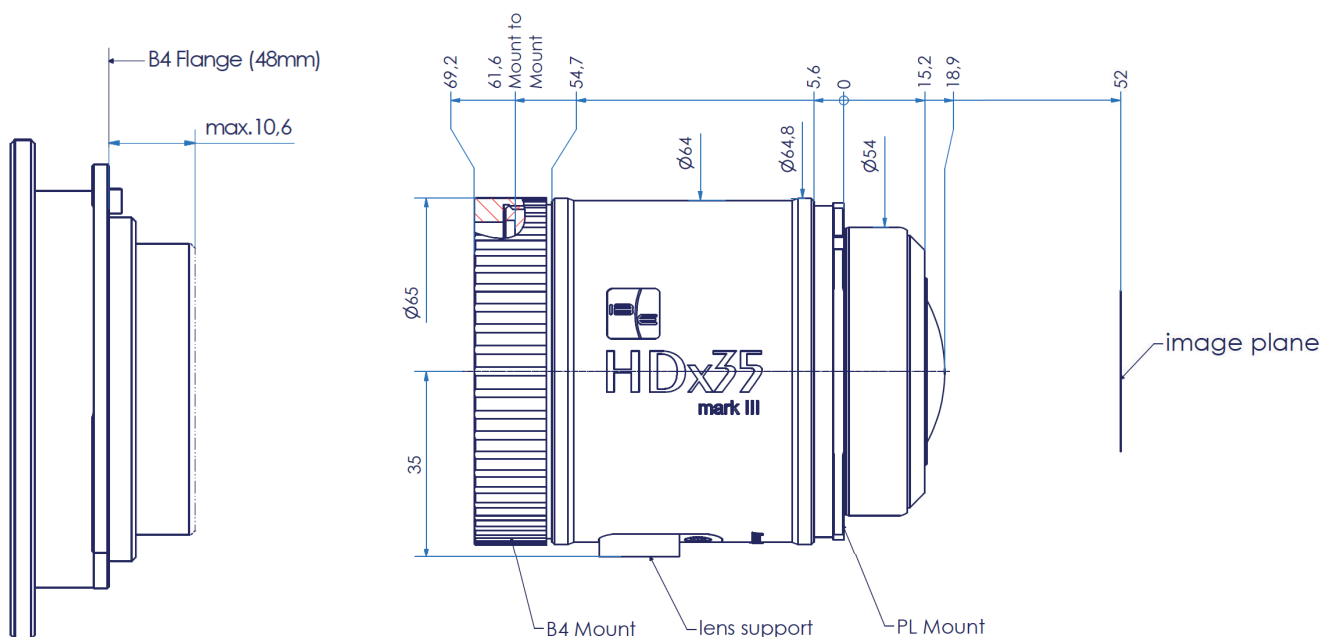
All HD converters are optically corrected for the different spectral alignments between three-chip prism block sensors which the B4 mount lenses were designed for and the single-chip sensors of the new cameras. HD converters are highly telecentric in design, delivering a bright, sharp image across the entire frame with excellent color and contrast.



Technical data

Max. image diameter (mm)	30.2
Magnification	x2.6
Max. input T-Stop	1.9
Light drop (stops)	2.5
Lens Mount	B4 2/3"

Camera Mount	PL UMS Mount
Diameter (mm)	65.0
Length (mm) B4 to PL	61.6
Weight (kg)	0.5



ill. 1: max. measurements of input lens

ill. 2: dimensional drawing

