

PLx1.4VV



The PLx1.4VV optical expander increases the focal length and the projected image diameter of the lens by a factor of 1.4. Then, it allows the use of the lens on large sensor cameras up to 47 mm.

This optical tool features high-index, low-dispersion glass to ensure the highest possible resolution and contrast with minimal optical degradation.

The PLx1.4VV is characterized by a robust and durable mechanical design with stainless steel PL mounts and anodized aluminum. Inside, it carries flare minimized surfaces to keep the original lens character.

The PLx1.4VV adapter is designed to use most of the S35 and VV PL lenses on almost all the digital cameras with a native PL mount.

It is not compatible with mirror cameras, nor the UMS system.

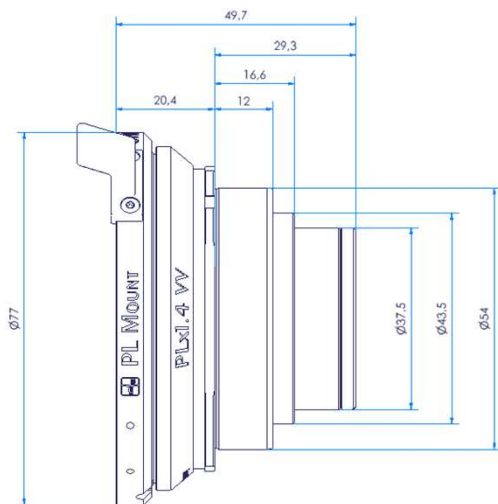


FEATURES

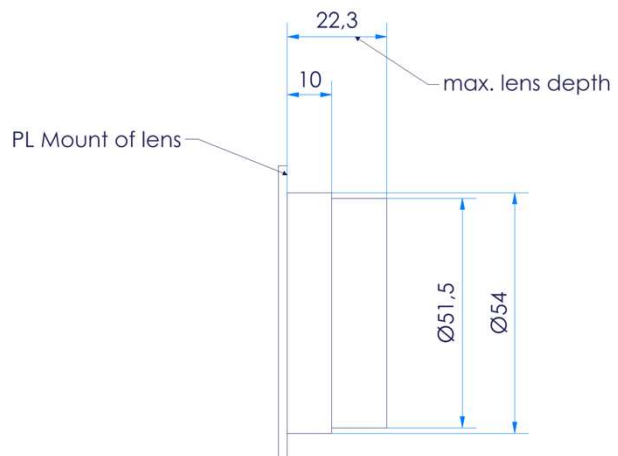
- 47mm image diameter (VistaVision)
- High-index, low-dispersion glass
- Low light-loss
- Robust Mechanical Design
- Extended Color Correction (APO)
- Small & lightweight

TECHNICAL DATA**

Max. Image Diameter (mm)	47 mm / 1.85"	Camera / Lens Mount	PL / PL
Magnification	1.4x	Max. recommended T-Stop	1.9
Light Drop	1.0 stop	Max. T-Stop Transmission	1.4
Diameter	77mm	Weight	0,5 kg / 1.1 lbs



Dimensional drawings



Max. back measures of input lens



IB/E optics GmbH / Passauer Str. 13 / D-94078 Freyung
 P +49 (0)85 51 999 80 30 / F +49 (0)85 51 999 80 31
ibe@ibe-optics.com / www.ibe-optics.com

**Subject to change