

PLx1.6VV

Article No: 50000012278



The PLx1.6VV increases the focal length by a factor of 1.66x and allows the use of S35 lenses on large-format cameras up to 46.5 mm sensor diameter and supports a max. aperture of T-Stop 2.0.

The PLx1.6VV is characterized by a robust and durable mechanical design with stainless steel PL mounts and anodized aluminium as well as decorative surface outside and flair minimized surfaces inside.

The PLx1.6VV is incompatible with mirror cameras but can be used with most S35 PL lenses.

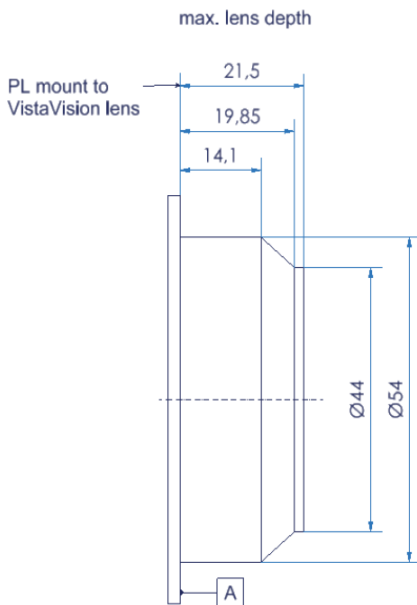


TECHNICAL DATA

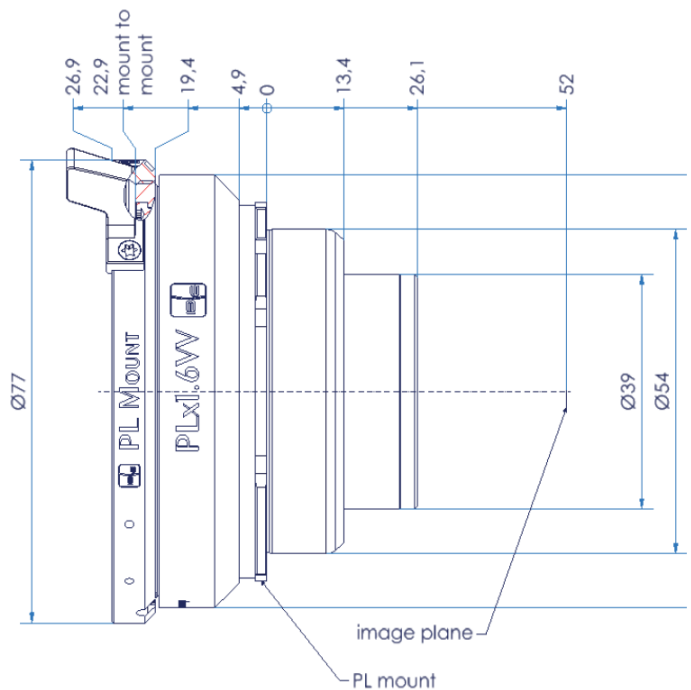
Max. image diameter (mm)	46.5
Focal length extension	1.66x
Max. input T-Stop	2.0
Light drop (stops)	1.46
Lens Mount	PL Standard

Camera Mount	PL UMS Mount*
Diameter (mm)	77.0
Length (mm) PL to PL	22.9
Weight (kg)	0.3

*without F and MFT Mount, UMS E without cover ring



III. 1: max. measurements of input lens



III. 2: dimensional drawing

